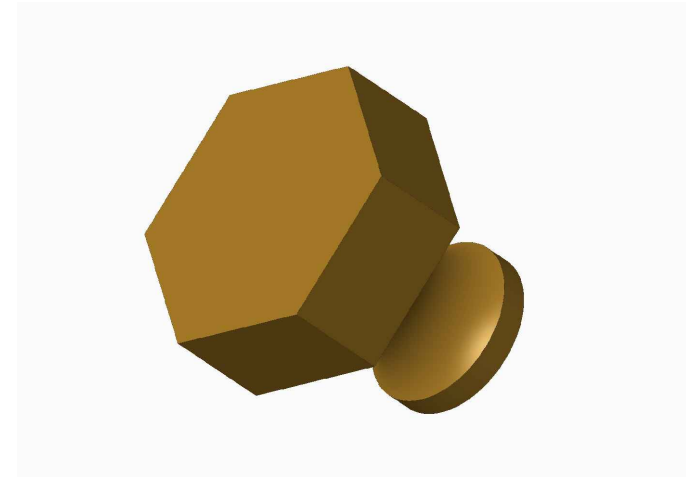
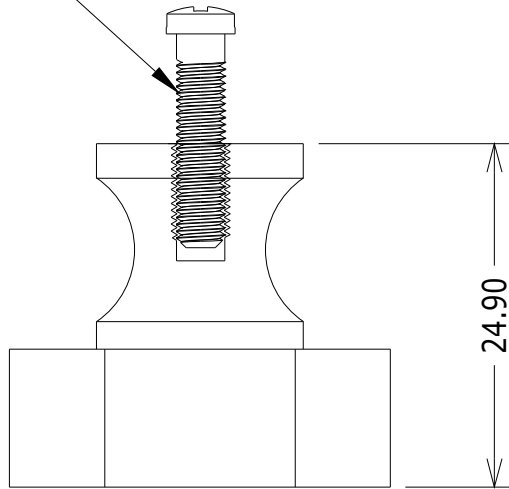


M4 X 0.50P



NOTE : All diensions are in MM
Protective lacquer to prevent oxidisation and corrosion.
Suitable for all appliance doors.

Cleaning & Maintenance : Wipe clean with warm water and a soft cloth.
Avoid abrasive towels, sponges, cleaning, sprays
bleach and hand sanitizers.

WEIGHT : 0.056kgs

MATERIAL : Brass

SKU :P205,P207

FINISH : Brushed

PUSHKA HOME

TITLE : Brass Door Knob

DATE :