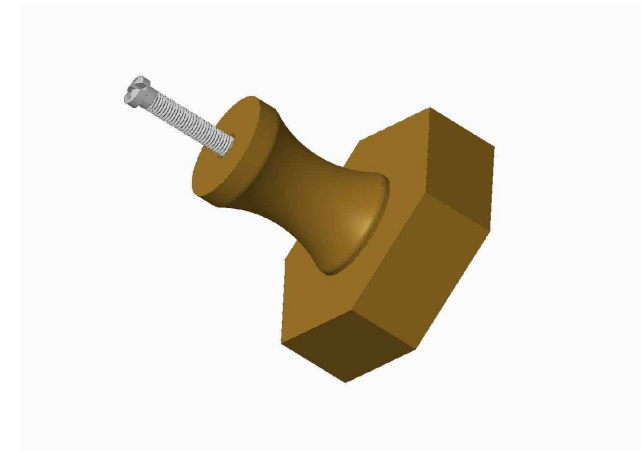
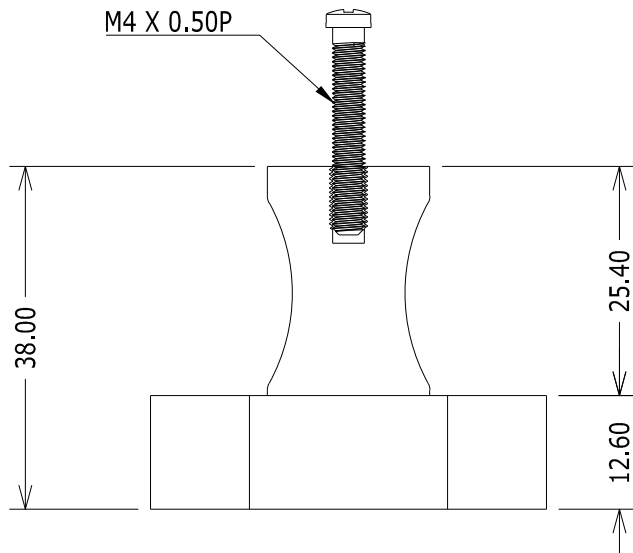


M4 X 0.50P



NOTE : All diensions are in MM  
 Protective lacquer to prevent oxidisation and corrosion.  
 Suitable for all appliance doors.

Cleaning & Maintenance : Wipe clean with warm water and a soft cloth.  
 Avoid abrasive towels, sponges, cleaning, sprays  
 bleach and hand sanitizers.

WEIGHT : 168 g.

MATERIAL : Brass

SKU : P10,P81,P93,P1

FINISH : Brushed



TITLE : Brass Door Knobs

DATE :