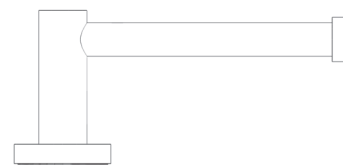
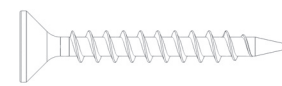


Part A



x 1

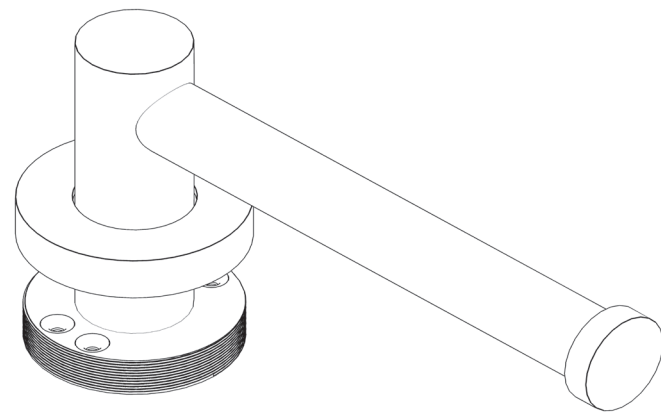
Part B



x 4

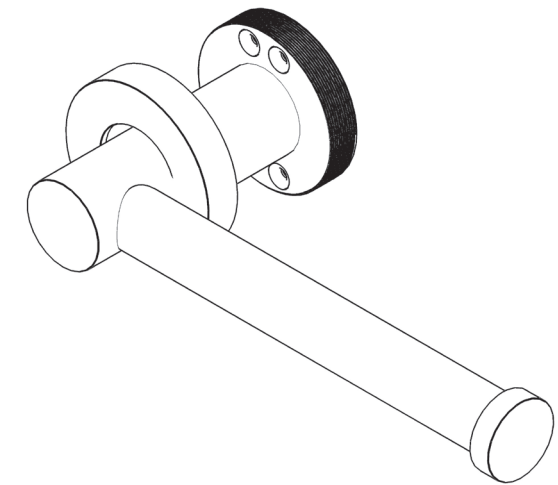
Step 1:

Unscrew the cap from the main body of the toilet holder.



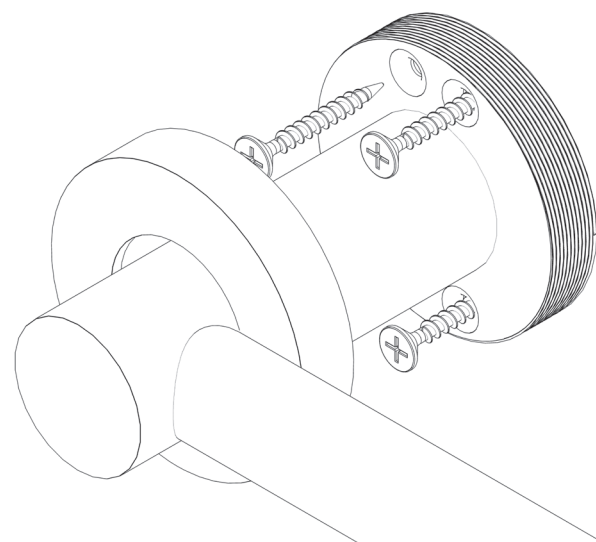
Step 2:

Line up the toilet holder to the wall in the desired final location.



Step 3:

Fix into place by inserting screws into the four screw holes on the base of the toilet holder.



Step 4:

Hide the screws by screwing back the cap into the base.

